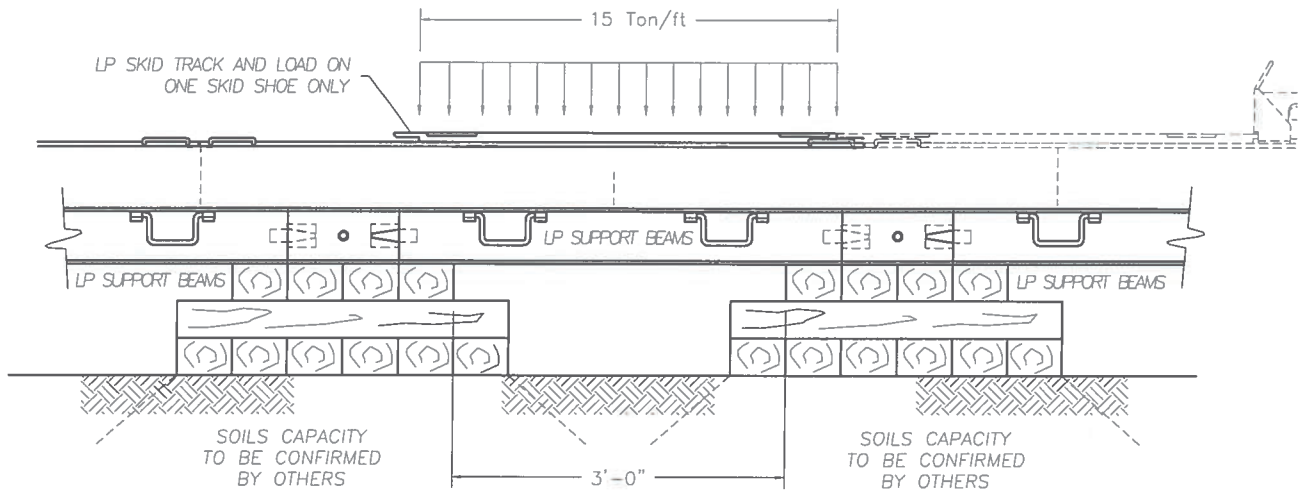
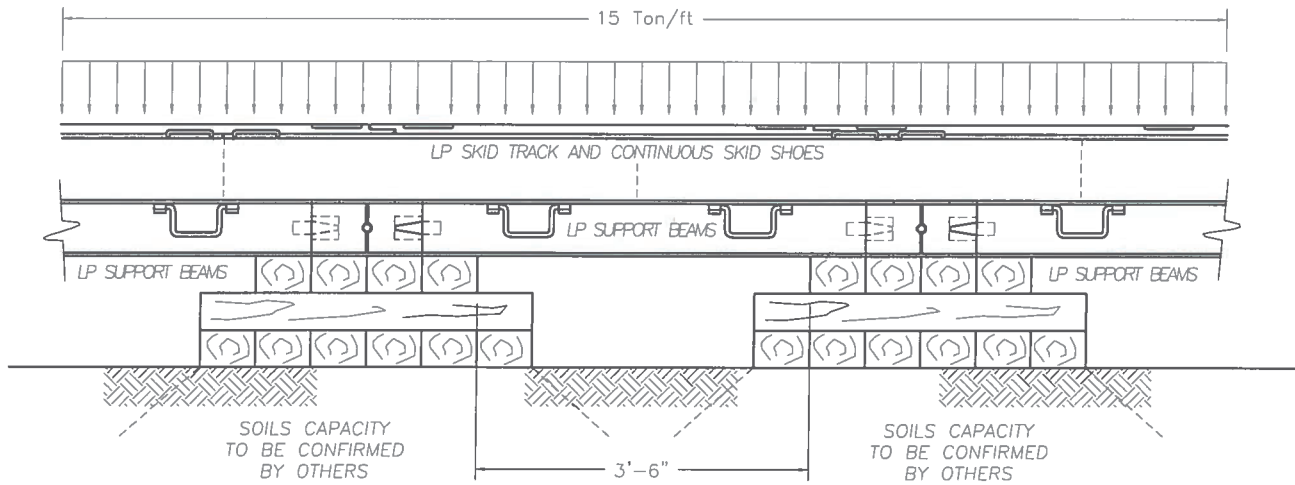


# ABX150-350 Aluminum Support Beam Capacity



1. TOTAL ASSEMBLY WEIGHT: 115 Lb
2. ALL CONSTRUCTION / OPERATION METHODS ARE THE FULL RESPONSIBILITY OF THE CONTRACTOR OPERATING THE EQUIPMENT.
3. THE CONTRACTOR OPERATING THE EQUIPMENT IS FULLY RESPONSIBLE TO COMPLY WITH THE MAXIMUM APPLIED WEIGHTS, ENSURE THAT THE LOADING CASES ARE RESPECTED AND THAT DIMENSIONS AND ALL OTHER RELEVANT INFORMATION ARE RESPECTED.
4. A SOILS CAPACITY STUDY MAY BE REQUIRED. THE CONTRACTOR IS RESPONSIBLE TO VALIDATE THE CAPACITY OF THE SOIL DIRECTLY UNDER THE CRIB PILE AND TO RESPECT ITS VALUES.
5. THE DESIGN OF THE BEAM IS PER CSA-S157-17,